

## Features

- Low cost solid state sensor
- Resistance tolerances down to  $\pm 2\%$
- High sensitivity to changes in temperature
- Suitable for temperature measurement, control and compensation
- Excellent mechanical strength
- Wide operating temperature range:  $-58^{\circ}\text{F}$  to  $302^{\circ}\text{F}$  ( $-50^{\circ}\text{C}$  to  $150^{\circ}\text{C}$ )
- Suitable for PCB and probe mountings
- Available in a wide range of material systems
- Also available with epoxy coating
- Available on tape and reel EIA RS-468A for automatic insertion

## Description

Point-matched disc thermistor with bare lead-wires.

# NTC Thermistor Type RL10

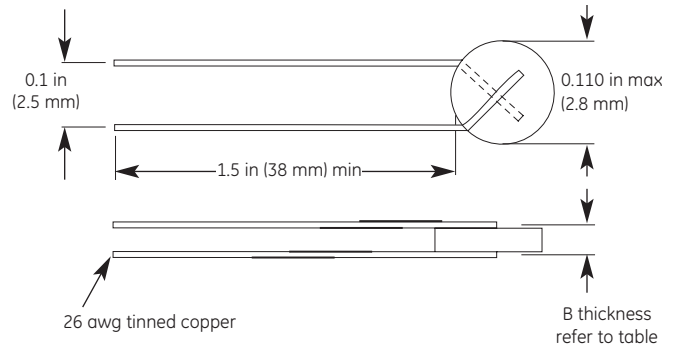
## Uncoated Disc With Radial Leads

NTC Thermistor is a Thermometrics product. Thermometrics has joined other GE high-technology sensing businesses under a new name—GE Sensing.



# Type RL10 Specifications

| Type Number         | Ro@25°C<br>Ω | Material<br>Systems | Beta<br>25/85 | B    |      | δ<br>(mW/K) | τ<br>(sec.) |
|---------------------|--------------|---------------------|---------------|------|------|-------------|-------------|
|                     |              |                     |               | in   | mm   |             |             |
| RL1003-49.2-59-M    | 75           | D5.9                | 3096          | .110 | 2.79 | 9           | 2.5         |
| RL1004-65.6-59-M    | 100          | D5.9                | 3096          | .120 | 3.05 | 2.5         | 9           |
| RL1005-82-59-M      | 125          | D5.9                | 3096          | .130 | 3.30 | 2.5         | 10          |
| RL1006-98.4-59-M    | 150          | D5.9                | 3096          | .140 | 3.56 | 2.7         | 10          |
| RL1003-238-85-K     | 400          | D8.5                | 3772          | .110 | 2.79 | 2.5         | 9           |
| RL1003-312-73-K     | 500          | D7.3                | 3468          | .110 | 2.79 | 2.5         | 9           |
| RL1004-297-85-K     | 500          | D8.5                | 3772          | .120 | 3.05 | 2.5         | 9           |
| RL1005-468-73-K     | 750          | D7.3                | 3468          | .130 | 3.30 | 2.5         | 10          |
| RL1006-475-85-K     | 800          | D8.5                | 3772          | .140 | 3.56 | 2.7         | 10          |
| RL1007-624-73-K     | 1000         | D7.3                | 3468          | .150 | 3.81 | 2.8         | 10          |
| RL1007-594-85-K     | 1000         | D8.5                | 3772          | .150 | 3.81 | 2.8         | 10          |
| RL1003-1157-95-K    | 2K           | D9.5                | 3965          | .110 | 2.79 | 2.5         | 9           |
| RL1004-1446-95-K    | 2.5K         | D9.5                | 3965          | .120 | 3.05 | 2.5         | 9           |
| RL1005-1735-95-K    | 3K           | D9.5                | 3965          | .130 | 3.30 | 2.5         | 10          |
| RL1003-1746-97-K    | 3K           | D9.5                | 3965          | .110 | 2.79 | 2.5         | 9           |
| RL1007-2313-95-K    | 4K           | D9.5                | 3965          | .150 | 3.81 | 2.8         | 10          |
| RL1004-2910-97-K    | 5K           | D9.7A               | 3972          | .120 | 3.05 | 2.5         | 9           |
| RL1003-2871-103-K   | 5K           | D10.3               | 4073          | .110 | 2.79 | 2.5         | 9           |
| RL1004-4019-103-K   | 7K           | D10.3               | 4073          | .120 | 3.05 | 2.5         | 9           |
| RL1007-4364-97-K    | 7.5K         | D9.7A               | 3972          | .150 | 3.81 | 2.8         | 10          |
| RL1009-5820-97-K    | 10K          | D9.7A               | 3972          | .170 | 4.32 | 3.0         | 10          |
| RL1005-5744-103-K   | 10K          | D10.3               | 4073          | .130 | 3.30 | 2.5         | 10          |
| RL1007-6890-103-K   | 12K          | D10.3               | 4073          | .150 | 3.81 | 2.8         | 10          |
| RL1004-8262-120-K   | 15K          | D12.0               | 4356          | .120 | 3.05 | 2.5         | 9           |
| RL1006-11K-120-K    | 20K          | D12.0               | 4356          | .140 | 3.56 | 2.7         | 10          |
| RL1007-13.8K-120-K  | 25K          | D12.0               | 4356          | .150 | 3.81 | 2.8         | 10          |
| RL1003-13.8K-122-K  | 25K          | D12.2               | 4365          | .110 | 2.79 | 2.5         | 9           |
| RL1005-22.1K-122-K  | 40K          | D12.2               | 4365          | .130 | 3.30 | 2.5         | 10          |
| RL1006-26.6K-122-K  | 50K          | D12.2               | 4365          | .140 | 3.56 | 2.7         | 10          |
| RL1003-26.7K-140-K  | 50K          | D14.0               | 4615          | .110 | 2.79 | 2.5         | 9           |
| RL1007-33.2K-122-K  | 60K          | D12.2               | 4365          | .150 | 3.81 | 2.8         | 10          |
| RL1004-34.7K-140-K  | 65K          | D14.0               | 4615          | .120 | 3.05 | 2.5         | 9           |
| RL1005-42.7K-140-K  | 80K          | D14.0               | 4615          | .130 | 3.30 | 2.5         | 10          |
| RL1006-53.4K-140-K  | 100K         | D14.0               | 4615          | .140 | 3.56 | 2.7         | 10          |
| RL1003-52.7K-150-K  | 100K         | D15.0               | 4228          | .110 | 2.79 | 2.5         | 9           |
| RL1004-81.1K-138-K  | 150K         | D13.8               | 4561          | .120 | 3.05 | 2.5         | 9           |
| RL1003-78.4K-155-K  | 150K         | D15.5               | 4793          | .110 | 2.79 | 2.5         | 9           |
| RL1005-79K-150-K    | 150K         | D15.0               | 4228          | .130 | 3.30 | 2.5         | 10          |
| RL1005-108.2K-138-K | 200K         | D13.8               | 4561          | .130 | 3.30 | 2.5         | 10          |
| RL1006-105.3K-150-K | 200K         | D15.0               | 4228          | .140 | 3.56 | 2.7         | 10          |
| RL1004-104.7K-155-K | 200K         | D15.5               | 4793          | .120 | 3.05 | 2.5         | 9           |
| RL1005-130.9K-155-K | 250K         | D15.5               | 4793          | .130 | 3.30 | 2.5         | 10          |
| RL1006-135.2K-138-K | 250K         | D13.8               | 4561          | .140 | 3.56 | 2.7         | 10          |
| RL1007-162.3K-138-K | 300K         | D13.8               | 4561          | .150 | 3.81 | 2.8         | 10          |
| RL1006-157K-155-K   | 300K         | D15.5               | 4793          | .140 | 3.56 | 2.7         | 10          |
| RL1007-183K-155-K   | 350K         | D15.5               | 4793          | .150 | 3.81 | 2.8         | 10          |



## Options

- Other resistances and tolerances at other temperatures are available.
- Resistance tolerance codes: G = 2%
  - J = 5%
  - K = 10%
  - L = 15%
  - M = 20%
- Alternative lead lengths, lead materials, insulations
- The "K" suffix is the same as the "DI" suffix in earlier catalogs.



©2007 GE. All rights reserved.  
920-411A

All specifications are subject to change for product improvement without notice. GE® is a registered trademark of General Electric Co. Other company or product names mentioned in this document may be trademarks or registered trademarks of their respective companies, which are not affiliated with GE.

[www.gesensing.com](http://www.gesensing.com)